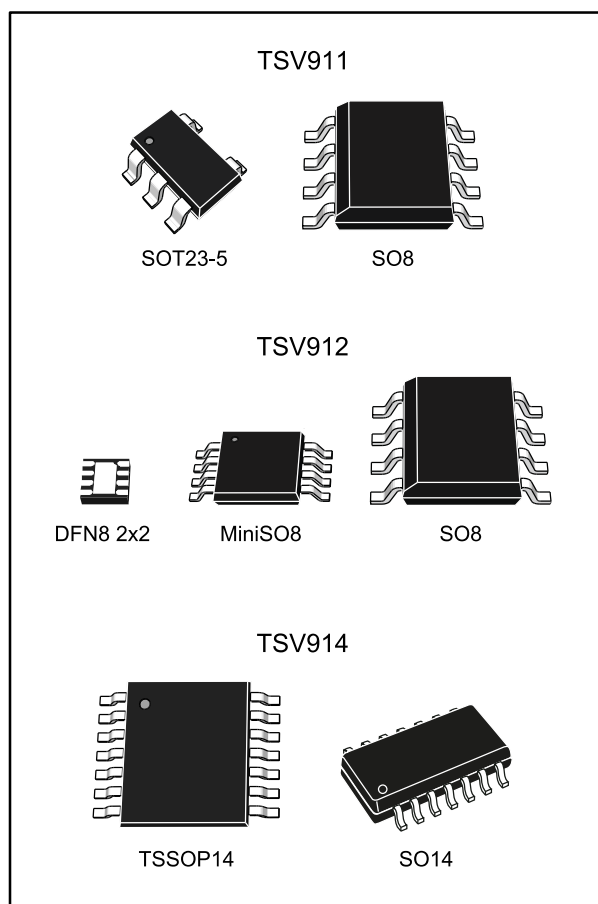


## Single, dual, and quad rail-to-rail input/output 8 MHz operational amplifiers

Datasheet - production data



### Features

- Rail-to-rail input and output
- Wide bandwidth
- Low power consumption: 820  $\mu$ A typ
- Unity gain stability
- High output current: 35 mA
- Operating from 2.5 V to 5.5 V
- Low input bias current, 1 pA typ
- Low input offset voltage: 1.5 mV max (A grade)
- ESD internal protection  $\geq$  5 kV
- Latch-up immunity

### Applications

- Battery-powered applications
- Portable devices
- Signal conditioning
- Active filtering
- Medical instrumentation
- Automotive applications

### Related products

- See TSV99x, TSV99xA for higher gain bandwidth (not unity gain stable)

### Description

The TSV91x operational amplifiers (op amps) offer low voltage operation and rail-to-rail input and output, as well as an excellent speed/power consumption ratio, providing an 8 MHz gain-bandwidth product while consuming only 1.1 mA maximum at 5 V. The op amps are unity gain stable and feature an ultra-low input bias current.

The devices are ideal for sensor interfaces, battery-supplied and portable applications, as well as active filtering.

Table 1: Device summary

Reference	Single	Dual	Quad
TSV91x	TSV911	TSV912	TSV914
TSV91xA <sup>(1)</sup>	TSV911A	TSV912A	TSV914A

#### Notes:

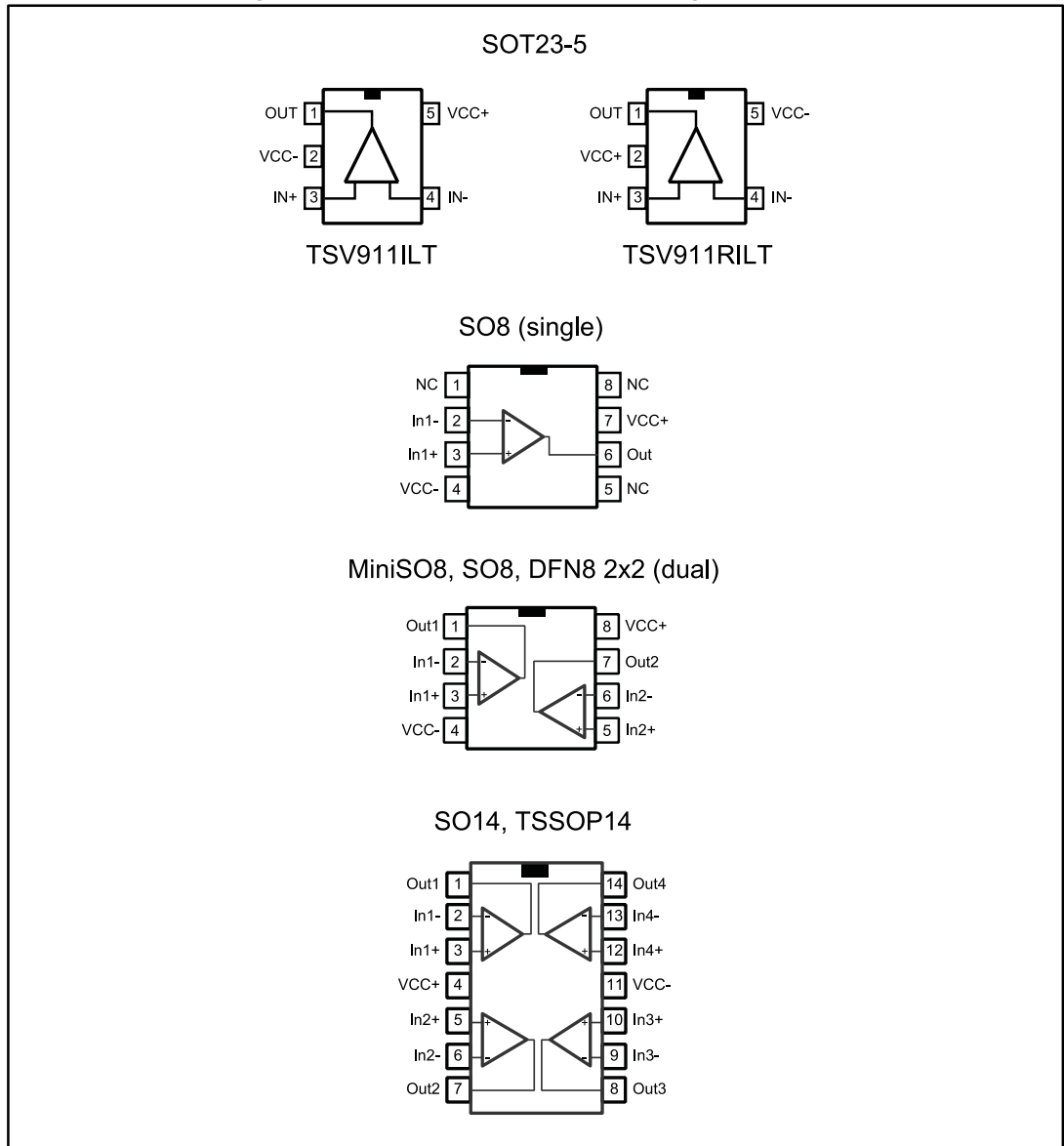
<sup>(1)</sup>Suffix "A" refers to enhanced  $V_{io}$  performance

## Contents

<b>1</b>	<b>Package pin connections.....</b>	<b>3</b>
<b>2</b>	<b>Absolute maximum ratings and operating conditions .....</b>	<b>4</b>
<b>3</b>	<b>Electrical characteristics .....</b>	<b>6</b>
<b>4</b>	<b>Electrical characteristic curves .....</b>	<b>12</b>
<b>5</b>	<b>Application information .....</b>	<b>15</b>
	5.1 Driving resistive and capacitive loads .....	15
	5.2 PCB layouts .....	15
	5.3 Macromodel .....	15
<b>6</b>	<b>Package information .....</b>	<b>16</b>
	6.1 SOT23-5 package information .....	17
	6.2 DFN8 2 x 2 package information.....	18
	6.3 MiniSO8 package information .....	20
	6.4 SO8 package information.....	21
	6.5 TSSOP14 package information.....	22
	6.6 SO14 package information.....	23
<b>7</b>	<b>Ordering information.....</b>	<b>24</b>
<b>8</b>	<b>Revision history .....</b>	<b>25</b>

# 1 Package pin connections

Figure 1: Pin connections for each package (top view)



1. The exposed pad of the DFN8 2x2 package is not internally connected and can be set to ground or left floating.

## 2 Absolute maximum ratings and operating conditions

Table 2: Absolute maximum ratings (AMR)

Symbol	Parameter	Value	Unit	
V <sub>CC</sub>	Supply voltage <sup>(1)</sup>	6	V	
V <sub>id</sub>	Differential input voltage <sup>(2)</sup>	±V <sub>CC</sub>		
V <sub>in</sub>	Input voltage <sup>(3)</sup>	(V <sub>CC-</sub> ) - 0.2 to (V <sub>CC+</sub> ) + 0.2		
I <sub>in</sub>	Input current <sup>(4)</sup>	10	mA	
T <sub>stg</sub>	Storage temperature	-65 to 150	°C	
T <sub>j</sub>	Maximum junction temperature	150		
R <sub>thja</sub>	Thermal resistance junction to ambient <sup>(5) (6)</sup>	SOT23-5	250	°C/W
		DFN8 2x2	57	
		SO8	125	
		MiniSO8	190	
		SO14	103	
		TSSOP14	100	
R <sub>thjc</sub>	Thermal resistance junction to case <sup>(5) (6)</sup>	SOT23-5	81	
		SO8	40	
		MiniSO8	39	
		SO14	31	
		TSSOP14	32	
ESD	HBM: human body model <sup>(7)</sup>		5	kV
	MM: machine model <sup>(8)</sup>		400	V
	CDM: charged device model <sup>(9)</sup>	SOT23-5, SO8, MiniSO8	1500	
		TSSOP14	750	
		SO14	500	
	Latch-up immunity	200	mA	

**Notes:**

- (1) All voltage values, except the differential voltage, are with respect to network ground terminal.
- (2) Differential voltages are the non-inverting input terminal with respect to the inverting input terminal
- (3) V<sub>CC</sub> - V<sub>IN</sub> must not exceed 6 V
- (4) Input current must be limited by a resistor in series with the inputs
- (5) Short-circuits can cause excessive heating and destructive dissipation.
- (6) R<sub>th</sub> are typical values
- (7) Human body model: 100 pF discharged through a 1.5 kΩ resistor between two pins of the device, done for all couples of pin combinations with other pins floating.
- (8) Machine model: 200 pF charged to the specified voltage, then discharged directly between two pins of the device with no external series resistor (internal resistor < 5 Ω), done for all couples of pin combinations with other pins floating

<sup>(9)</sup>Charged device model: all pins plus packages are charged together to the specified voltage and then discharged directly to the ground.

Table 3: Operating conditions

Symbol	Parameter	Value	Unit
V <sub>CC</sub>	Supply voltage	-40 °C < T <sub>op</sub> < 125 °C	2.5 to 5.5
		0 °C < T <sub>op</sub> < 125 °C	2.3 to 5.5
V <sub>icm</sub>	Common mode input voltage range	(V <sub>CC-</sub> ) - 0.1 to (V <sub>CC+</sub> ) + 0.1	V
T <sub>op</sub>	Operating free air temperature range	-40 to 125	

### 3 Electrical characteristics



In the electrical characteristic tables below, all parameter limits at temperatures other than 25 °C are guaranteed by correlation.

**Table 4: Electrical characteristics at VCC+ = 2.5 V, VCC- = 0 V, Vicm = VCC/2, with RL connected to VCC/2, full temperature range (unless otherwise specified)**

Symbol	Parameter	Conditions	Min.	Typ.	Max.	Unit
<b>DC performance</b>						
V <sub>io</sub>	Offset voltage, TSV91x	T <sub>op</sub> = 25 °C		0.1	4.5	mV
		T <sub>min</sub> < T <sub>op</sub> < T <sub>max</sub>			7.5	
	Offset voltage, TSV91xA	T <sub>op</sub> = 25 °C			1.5	
		T <sub>min</sub> < T <sub>op</sub> < T <sub>max</sub>			3	
ΔV <sub>io</sub> /ΔT	Input offset voltage drift		5		μV/°C	
I <sub>io</sub>	Input offset current <sup>(1)</sup>	T <sub>op</sub> = 25 °C		1	10	pA
		T <sub>min</sub> < T <sub>op</sub> < T <sub>max</sub>			100	
I <sub>ib</sub>	Input bias current <sup>(1)</sup>	T <sub>op</sub> = 25 °C		1	10	pA
		T <sub>min</sub> < T <sub>op</sub> < T <sub>max</sub>			100	
CMR	Common mode rejection ratio, 20 log (ΔV <sub>io</sub> /ΔV <sub>io</sub> )	0 V to 2.5 V, V <sub>out</sub> = 1.25 V, T <sub>op</sub> = 25 °C	58	75		dB
		T <sub>min</sub> < T <sub>op</sub> < T <sub>max</sub>	53			
A <sub>vd</sub>	Large signal voltage gain	R <sub>L</sub> = 10 kΩ, V <sub>out</sub> = 0.5 V to 2 V, T <sub>op</sub> = 25 °C	80	89		dB
		T <sub>min</sub> < T <sub>op</sub> < T <sub>max</sub>	75			
V <sub>CC</sub> - V <sub>OH</sub>	High-level output voltage	R <sub>L</sub> = 10 kΩ		15	40	mV
		T <sub>min</sub> < T <sub>op</sub> < T <sub>max</sub>			40	
		R <sub>L</sub> = 600 Ω		45	150	
		T <sub>min</sub> < T <sub>op</sub> < T <sub>max</sub>			150	
V <sub>OL</sub>	Low-level output voltage	R <sub>L</sub> = 10 kΩ		15	40	mV
		T <sub>min</sub> < T <sub>op</sub> < T <sub>max</sub>			40	
		R <sub>L</sub> = 600 Ω		45	150	
		T <sub>min</sub> < T <sub>op</sub> < T <sub>max</sub>			150	
I <sub>out</sub>	I <sub>sink</sub>	V <sub>o</sub> = 2.5 V, T <sub>op</sub> = 25 °C	18	32		mA
		T <sub>min</sub> < T <sub>op</sub> < T <sub>max</sub>	16			
	I <sub>source</sub>	V <sub>o</sub> = 0 V, T <sub>op</sub> = 25 °C	18	35		
		T <sub>min</sub> < T <sub>op</sub> < T <sub>max</sub>	16			
I <sub>CC</sub>	Supply current (per channel)	No load, V <sub>out</sub> = V <sub>CC</sub> /2		0.78	1.1	mA
		T <sub>min</sub> < T <sub>op</sub> < T <sub>max</sub>			1.1	

Symbol	Parameter	Conditions	Min.	Typ.	Max.	Unit
<b>AC performance</b>						
GBP	Gain bandwidth product	$R_L = 2\text{ k}\Omega$ , $C_L = 100\text{ pF}$ , $f = 100\text{ kHz}$ , $T_{op} = 25\text{ }^\circ\text{C}$		8		MHz
$F_u$	Unity gain frequency	$R_L = 2\text{ k}\Omega$ , $C_L = 100\text{ pF}$ , $T_{op} = 25\text{ }^\circ\text{C}$		7.2		
$\phi_m$	Phase margin	$R_L = 2\text{ k}\Omega$ , $C_L = 100\text{ pF}$ , $T_{op} = 25\text{ }^\circ\text{C}$		45		Degrees
$G_m$	Gain margin	$R_L = 2\text{ k}\Omega$ , $C_L = 100\text{ pF}$ , $T_{op} = 25\text{ }^\circ\text{C}$		8		dB
SR	Slew rate	$R_L = 2\text{ k}\Omega$ , $C_L = 100\text{ pF}$ , $A_v = 1$ , $T_{op} = 25\text{ }^\circ\text{C}$		4.5		V/ $\mu\text{s}$
$e_n$	Equivalent input noise voltage	$f = 10\text{ kHz}$ , $T_{op} = 25\text{ }^\circ\text{C}$		21		nV/ $\sqrt{\text{Hz}}$
THD+ $e_n$	Total harmonic distortion	$G = 1$ , $f = 1\text{ kHz}$ , $R_L = 2\text{ k}\Omega$ , $BW = 22\text{ kHz}$ , $T_{op} = 25\text{ }^\circ\text{C}$ , $V_{icm} = (V_{CC} + 1)/2$ , $V_{out} = 1.1\text{ V}_{pp}$		0.001		%

**Notes:**

(1)Guaranteed by design

Table 5: Electrical characteristics at  $V_{CC+} = 3.3\text{ V}$ ,  $V_{CC-} = 0\text{ V}$ ,  $V_{icm} = V_{CC}/2$ , with  $R_L$  connected to  $V_{CC}/2$ , full temperature range (unless otherwise specified)

Symbol	Parameter	Conditions	Min.	Typ.	Max.	Unit
<b>DC performance</b>						
$V_{io}$	Offset voltage, TSV91x	$T_{op} = 25\text{ }^{\circ}\text{C}$		0.1	4.5	mV
		$T_{min} < T_{op} < T_{max}$			7.5	
	Offset voltage, TSV91xA	$T_{op} = 25\text{ }^{\circ}\text{C}$			1.5	
		$T_{min} < T_{op} < T_{max}$			3	
$\Delta V_{io}/\Delta T$	Input offset voltage drift			5		$\mu\text{V}/^{\circ}\text{C}$
$I_{io}$	Input offset current <sup>(1)</sup>	$T_{op} = 25\text{ }^{\circ}\text{C}$		1	10	pA
		$T_{min} < T_{op} < T_{max}$			100	
$I_{ib}$	Input bias current <sup>(1)</sup>	$T_{op} = 25\text{ }^{\circ}\text{C}$		1	10	
		$T_{min} < T_{op} < T_{max}$			100	
CMR	Common mode rejection ratio, $20 \log (\Delta V_{ic}/\Delta V_{io})$	0 V to 3.3 V, $V_{out} = 1.65\text{ V}$ , $T_{op} = 25\text{ }^{\circ}\text{C}$	60	78		dB
		$T_{min} < T_{op} < T_{max}$	55			
$A_{vd}$	Large signal voltage gain	$R_L = 10\text{ k}\Omega$ , $V_{out} = 0.5\text{ V to } 2.8\text{ V}$ , $T_{op} = 25\text{ }^{\circ}\text{C}$	80	89		
		$T_{min} < T_{op} < T_{max}$	75			
$V_{CC} - V_{OH}$	High-level output voltage	$R_L = 10\text{ k}\Omega$		15	40	mV
		$T_{min} < T_{op} < T_{max}$			40	
		$R_L = 600\text{ }\Omega$		45	150	
		$T_{min} < T_{op} < T_{max}$			150	
$V_{OL}$	Low-level output voltage	$R_L = 10\text{ k}\Omega$		15	40	
		$T_{min} < T_{op} < T_{max}$			40	
		$R_L = 600\text{ }\Omega$		45	150	
		$T_{min} < T_{op} < T_{max}$			150	
$I_{out}$	$I_{sink}$	$V_o = 3.3\text{ V}$ , $T_{op} = 25\text{ }^{\circ}\text{C}$	18	32		mA
		$T_{min} < T_{op} < T_{max}$	16			
	$I_{source}$	$V_o = 0\text{ V}$ , $T_{op} = 25\text{ }^{\circ}\text{C}$	18	35		
		$T_{min} < T_{op} < T_{max}$	16			
$I_{CC}$	Supply current (per channel)	No load, $V_{out} = V_{CC}/2$		0.8	1.1	
		$T_{min} < T_{op} < T_{max}$			1.1	
<b>AC performance</b>						
GBP	Gain bandwidth product	$R_L = 2\text{ k}\Omega$ , $C_L = 100\text{ pF}$ , $f = 100\text{ kHz}$ , $T_{op} = 25\text{ }^{\circ}\text{C}$		8		MHz
$F_u$	Unity gain frequency	$R_L = 2\text{ k}\Omega$ , $C_L = 100\text{ pF}$ , $T_{op} = 25\text{ }^{\circ}\text{C}$		7.2		
$\phi_m$	Phase margin	$R_L = 2\text{ k}\Omega$ , $C_L = 100\text{ pF}$ , $T_{op} = 25\text{ }^{\circ}\text{C}$		45		Degrees
$G_m$	Gain margin	$R_L = 2\text{ k}\Omega$ , $C_L = 100\text{ pF}$ , $T_{op} = 25\text{ }^{\circ}\text{C}$		8		dB



Symbol	Parameter	Conditions	Min.	Typ.	Max.	Unit
SR	Slew rate	$R_L = 2 \text{ k}\Omega$ , $C_L = 100 \text{ pF}$ , $A_v = 1$ , $T_{op} = 25 \text{ }^\circ\text{C}$		4.5		V/ $\mu\text{s}$
$e_n$	Equivalent input noise voltage	$f = 10 \text{ kHz}$ , $T_{op} = 25 \text{ }^\circ\text{C}$		21		nV/ $\sqrt{\text{Hz}}$
THD+ $e_n$	Total harmonic distortion	$G = 1$ , $f = 1 \text{ kHz}$ , $R_L = 2 \text{ k}\Omega$ , $BW = 22 \text{ kHz}$ , $T_{op} = 25 \text{ }^\circ\text{C}$ , $V_{icm} = (V_{CC} + 1)/2$ , $V_{out} = 1.9 \text{ V}_{pp}$		0.0007		%

**Notes:**

(1)Guaranteed by design

**Table 6: Electrical characteristics at VCC+ = 5 V, VCC- = 0 V, Vicm = VCC/2, with RL connected to VCC/2, full temperature range (unless otherwise specified)**

Symbol	Parameter	Conditions	Min.	Typ.	Max.	Unit
<b>DC performance</b>						
V <sub>io</sub>	Offset voltage, TSV91x	T <sub>op</sub> = 25 °C		0.1	4.5	mV
		T <sub>min</sub> < T <sub>op</sub> < T <sub>max</sub>			7.5	
	Offset voltage, TSV91xA	T <sub>op</sub> = 25 °C			1.5	
		T <sub>min</sub> < T <sub>op</sub> < T <sub>max</sub>			3	
ΔV <sub>io</sub> /ΔT	Input offset voltage drift			5		μV/°C
I <sub>io</sub>	Input offset current <sup>(1)</sup>	T <sub>op</sub> = 25 °C		1	10	pA
		T <sub>min</sub> < T <sub>op</sub> < T <sub>max</sub>			100	
I <sub>ib</sub>	Input bias current <sup>(1)</sup>	T <sub>op</sub> = 25 °C		1	10	
		T <sub>min</sub> < T <sub>op</sub> < T <sub>max</sub>			100	
CMR	Common mode rejection ratio, 20 log (ΔV <sub>ic</sub> /ΔV <sub>io</sub> )	0 V to 5 V, V <sub>out</sub> = 2.5 V, T <sub>op</sub> = 25 °C	62	82		dB
		T <sub>min</sub> < T <sub>op</sub> < T <sub>max</sub>	58			
SVR	Supply voltage rejection ratio, 20 log (ΔV <sub>CC</sub> /ΔV <sub>io</sub> )	V <sub>CC</sub> = 2.5 to 5 V	70	86		
A <sub>vd</sub>	Large signal voltage gain	R <sub>L</sub> = 10 kΩ, V <sub>out</sub> = 0.5 V to 4.5 V, T <sub>op</sub> = 25 °C	80	91		
		T <sub>min</sub> < T <sub>op</sub> < T <sub>max</sub>	75			
V <sub>CC</sub> - V <sub>OH</sub>	High-level output voltage	R <sub>L</sub> = 10 kΩ		15	40	mV
		T <sub>min</sub> < T <sub>op</sub> < T <sub>max</sub>			40	
		R <sub>L</sub> = 600 Ω		45	150	
		T <sub>min</sub> < T <sub>op</sub> < T <sub>max</sub>			150	
V <sub>OL</sub>	Low-level output voltage	R <sub>L</sub> = 10 kΩ		15	40	mV
		T <sub>min</sub> < T <sub>op</sub> < T <sub>max</sub>			40	
		R <sub>L</sub> = 600 Ω		45	150	
		T <sub>min</sub> < T <sub>op</sub> < T <sub>max</sub>			150	
I <sub>out</sub>	I <sub>sink</sub>	V <sub>o</sub> = 5 V, T <sub>op</sub> = 25 °C	18	32		mA
		T <sub>min</sub> < T <sub>op</sub> < T <sub>max</sub>	16			
	I <sub>source</sub>	V <sub>o</sub> = 0 V, T <sub>op</sub> = 25 °C	18	35		
		T <sub>min</sub> < T <sub>op</sub> < T <sub>max</sub>	16			
I <sub>CC</sub>	Supply current (per channel)	No load, V <sub>out</sub> = 2.5 V		0.78	1.1	
		T <sub>min</sub> < T <sub>op</sub> < T <sub>max</sub>			1.1	
<b>AC performance</b>						
GBP	Gain bandwidth product	R <sub>L</sub> = 2 kΩ, C <sub>L</sub> = 100 pF, f = 100 kHz, T <sub>op</sub> = 25 °C		8		MHz
F <sub>u</sub>	Unity gain frequency	R <sub>L</sub> = 2 kΩ, C <sub>L</sub> = 100 pF, T <sub>op</sub> = 25 °C		7.5		
φ <sub>m</sub>	Phase margin	R <sub>L</sub> = 2 kΩ, C <sub>L</sub> = 100 pF, T <sub>op</sub> = 25 °C		45		Degrees

Symbol	Parameter	Conditions	Min.	Typ.	Max.	Unit
$G_m$	Gain margin	$R_L = 2\text{ k}\Omega$ , $C_L = 100\text{ pF}$ , $T_{op} = 25\text{ }^\circ\text{C}$		8		dB
SR	Slew rate	$R_L = 2\text{ k}\Omega$ , $C_L = 100\text{ pF}$ , $A_v = 1$ , $T_{op} = 25\text{ }^\circ\text{C}$		4.5		V/ $\mu\text{s}$
$e_n$	Equivalent input noise voltage	$f = 1\text{ kHz}$ , $T_{op} = 25\text{ }^\circ\text{C}$		27		nV/ $\sqrt{\text{Hz}}$
		$f = 10\text{ kHz}$ , $T_{op} = 25\text{ }^\circ\text{C}$		21		
THD+ $e_n$	Total harmonic distortion	$G = 1$ , $f = 1\text{ kHz}$ , $R_L = 2\text{ k}\Omega$ , $BW = 22\text{ kHz}$ , $T_{op} = 25\text{ }^\circ\text{C}$ , $V_{icm} = (V_{CC} + 1)/2$ , $V_{out} = 3.6\text{ V}_{pp}$		0.0004		%

**Notes:**

(1)Guaranteed by design

## 4 Electrical characteristic curves

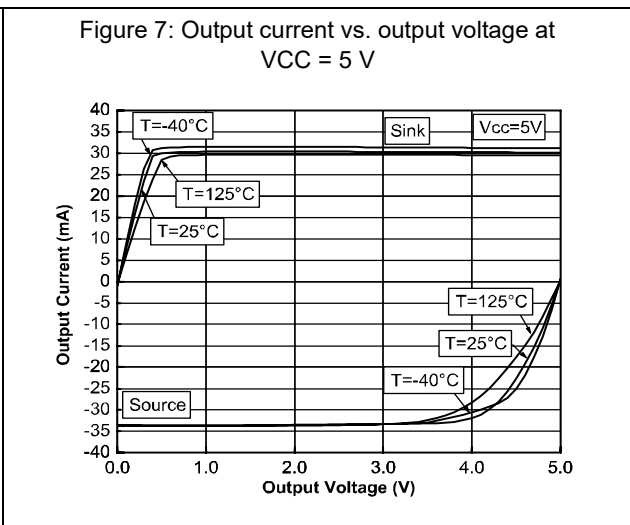
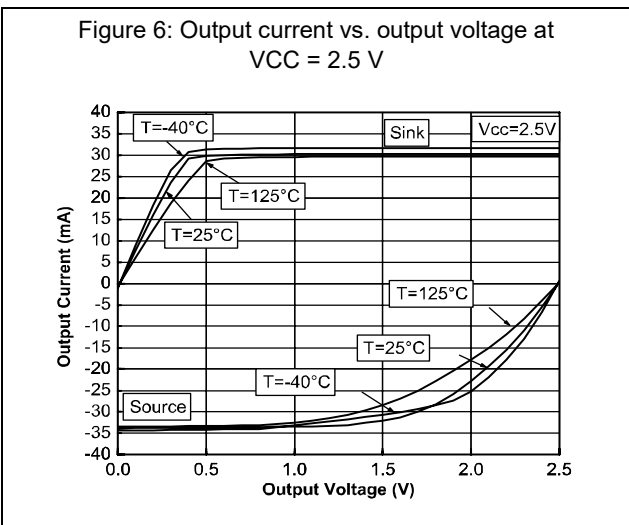
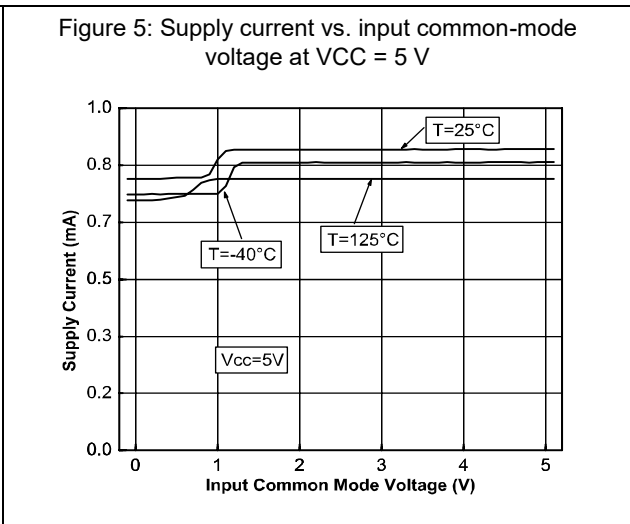
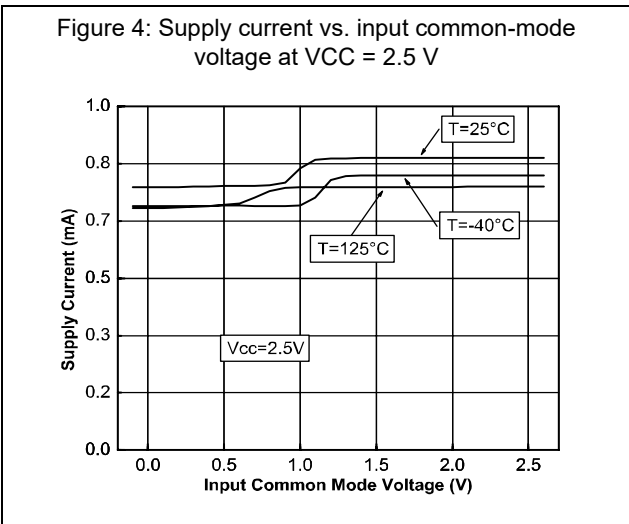
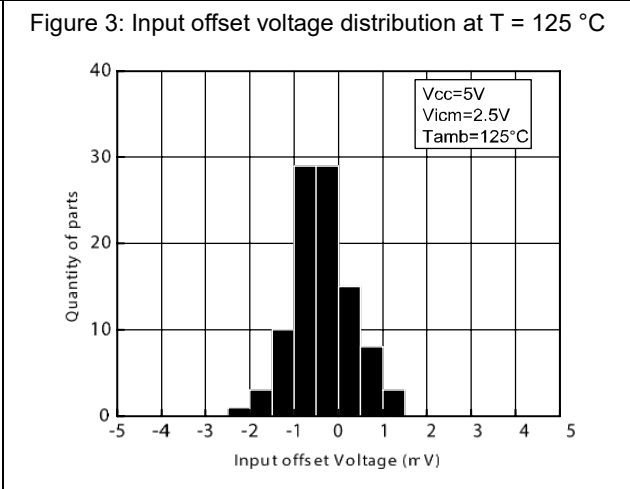
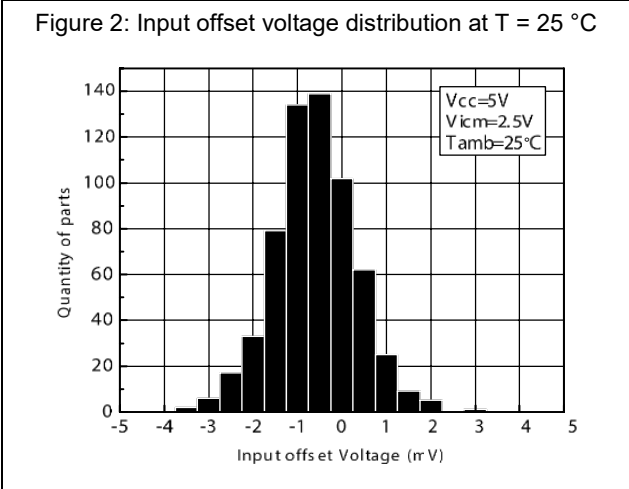


Figure 8: Voltage gain and phase vs. frequency at VCC = 2.5 V and Vicm = 0.5 V

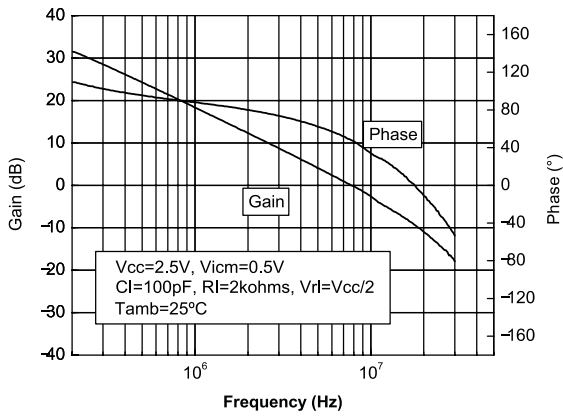


Figure 9: Voltage gain and phase vs. frequency at VCC = 5.5 V and Vicm = 0.5 V

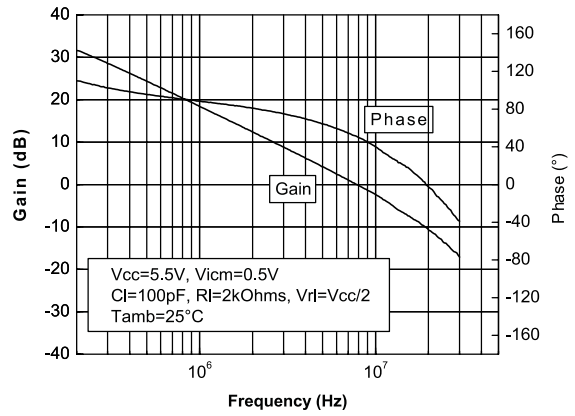


Figure 10: Phase margin vs. capacitive load

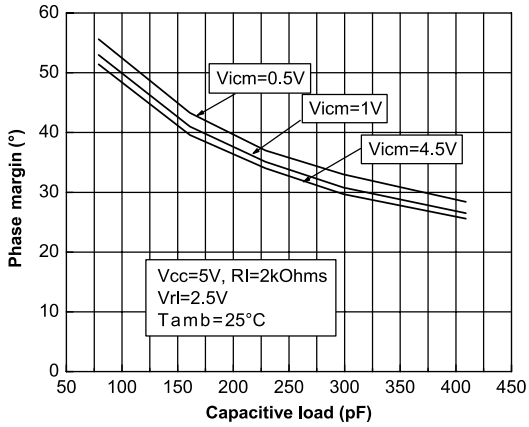


Figure 11: Phase margin vs. output current

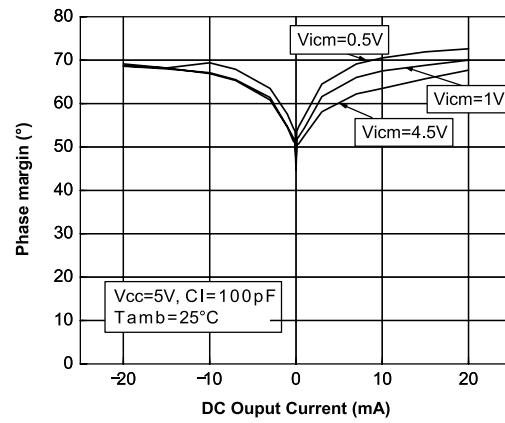


Figure 12: Positive slew rate

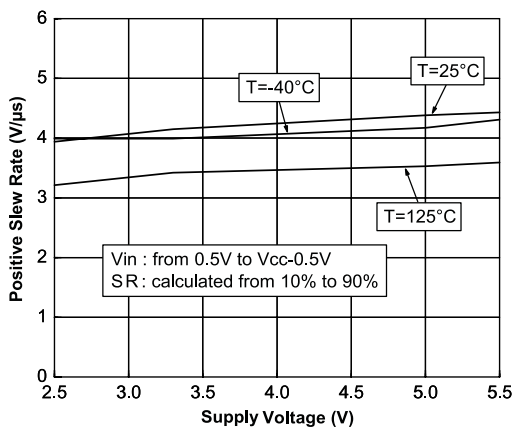
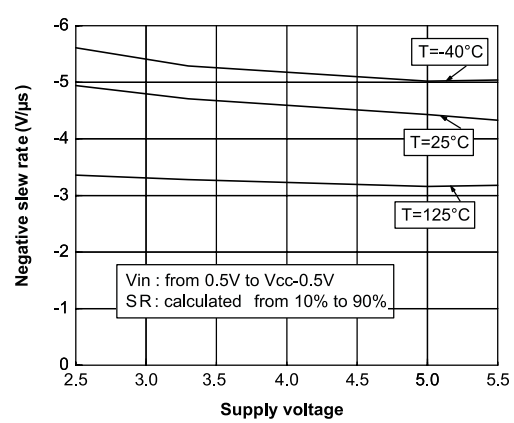
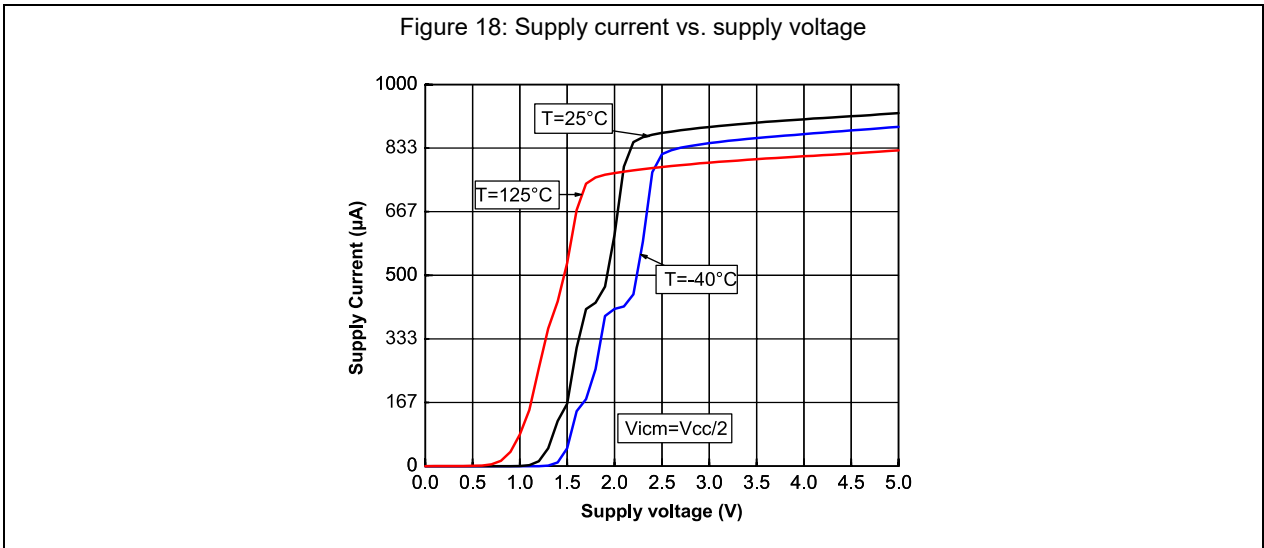
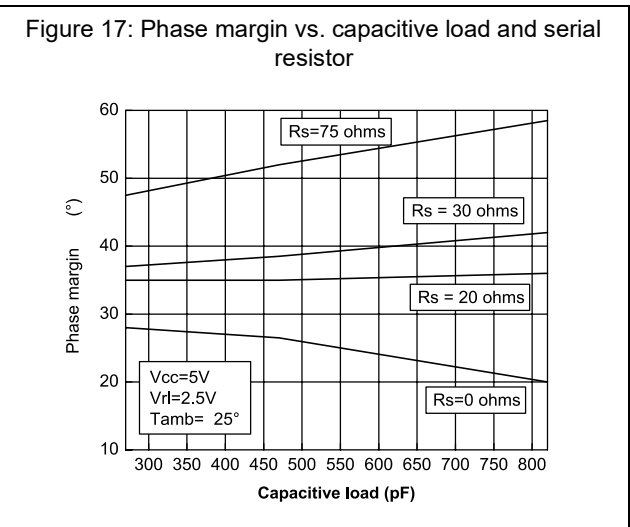
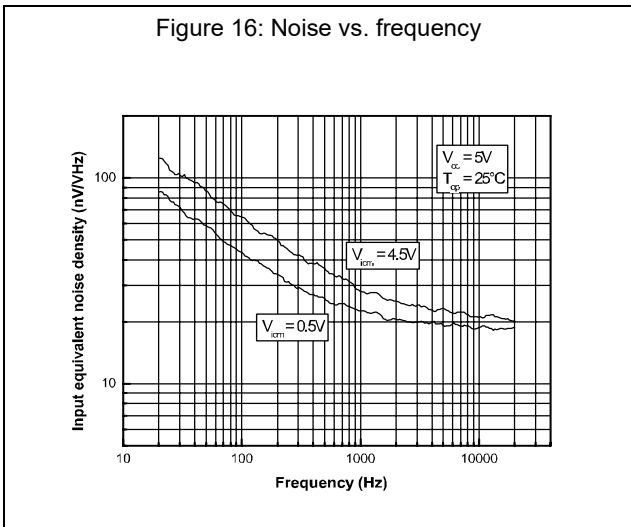
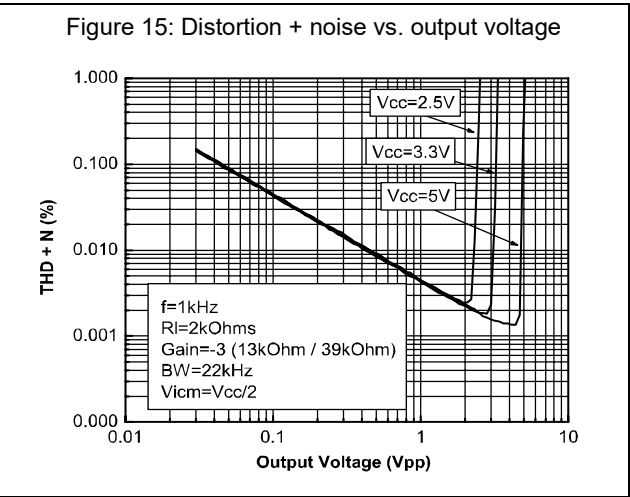
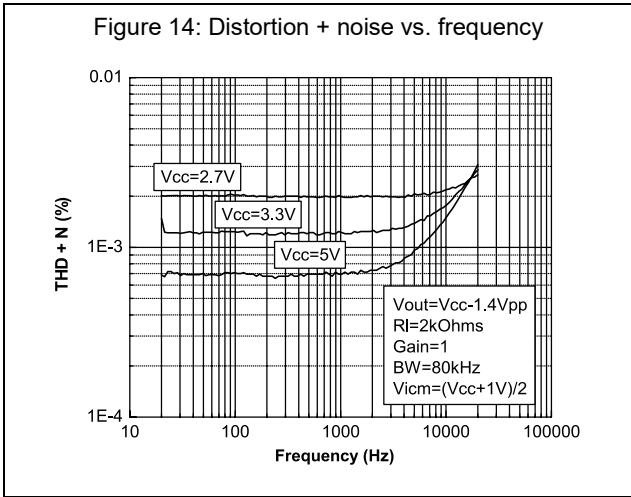


Figure 13: Negative slew rate





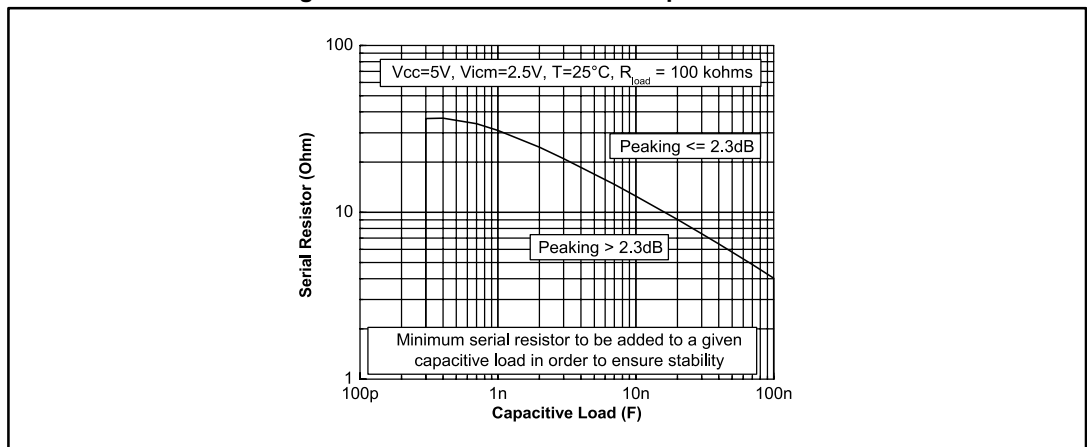
## 5 Application information

### 5.1 Driving resistive and capacitive loads

These products are low-voltage, low-power operational amplifiers optimized to drive rather large resistive loads above 2 k $\Omega$ .

In a *follower* configuration, these operational amplifiers can drive capacitive loads up to 100 pF with no oscillations. When driving larger capacitive loads, adding a small in-series resistor at the output can improve the stability of the device (*Figure 19* shows the recommended in-series resistor values). Once the in-series resistor value has been selected, the stability of the circuit should be tested on bench and simulated with the simulation model.

Figure 19: In-series resistor vs. capacitive load



### 5.2 PCB layouts

For correct operation, it is advised to add 10 nF decoupling capacitors as close as possible to the power supply pins.

### 5.3 Macromodel

An accurate macromodel of the TSV91x is available on STMicroelectronics' web site at: [www.st.com](http://www.st.com). This model is a trade-off between accuracy and complexity (that is, time simulation) of the TSV91x operational amplifiers. It emulates the nominal performances of a typical device within the specified operating conditions mentioned in the datasheet. It helps to validate a design approach and to select the right operational amplifier, *but it does not* replace on-board measurements.

## 6 Package information

In order to meet environmental requirements, ST offers these devices in different grades of ECOPACK® packages, depending on their level of environmental compliance. ECOPACK® specifications, grade definitions and product status are available at: [www.st.com](http://www.st.com). ECOPACK® is an ST trademark.



## 6.1 SOT23-5 package information

Figure 20: SOT23-5 package outline

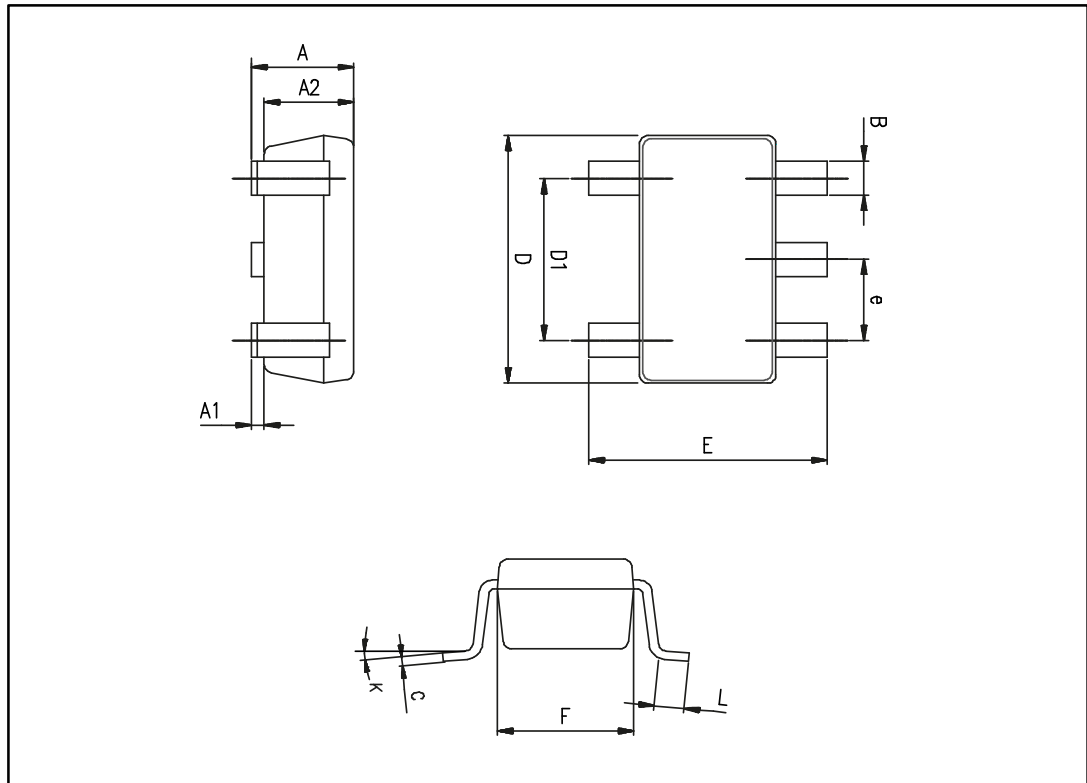


Table 7: SOT23-5 mechanical data

Ref.	Dimensions					
	Millimeters			Inches		
	Min.	Typ.	Max.	Min.	Typ.	Max.
A	0.90	1.20	1.45	0.035	0.047	0.057
A1			0.15			0.006
A2	0.90	1.05	1.30	0.035	0.041	0.051
B	0.35	0.40	0.50	0.014	0.016	0.020
C	0.09	0.15	0.20	0.004	0.006	0.008
D	2.80	2.90	3.00	0.110	0.114	0.118
D1		1.90			0.075	
e		0.95			0.037	
E	2.60	2.80	3.00	0.102	0.110	0.118
F	1.50	1.60	1.75	0.059	0.063	0.069
L	0.10	0.35	0.60	0.004	0.014	0.024
K	0 degrees		10 degrees	0 degrees		10 degrees

## 6.2 DFN8 2 x 2 package information

Figure 21: DFN8 2 x 2 package outline

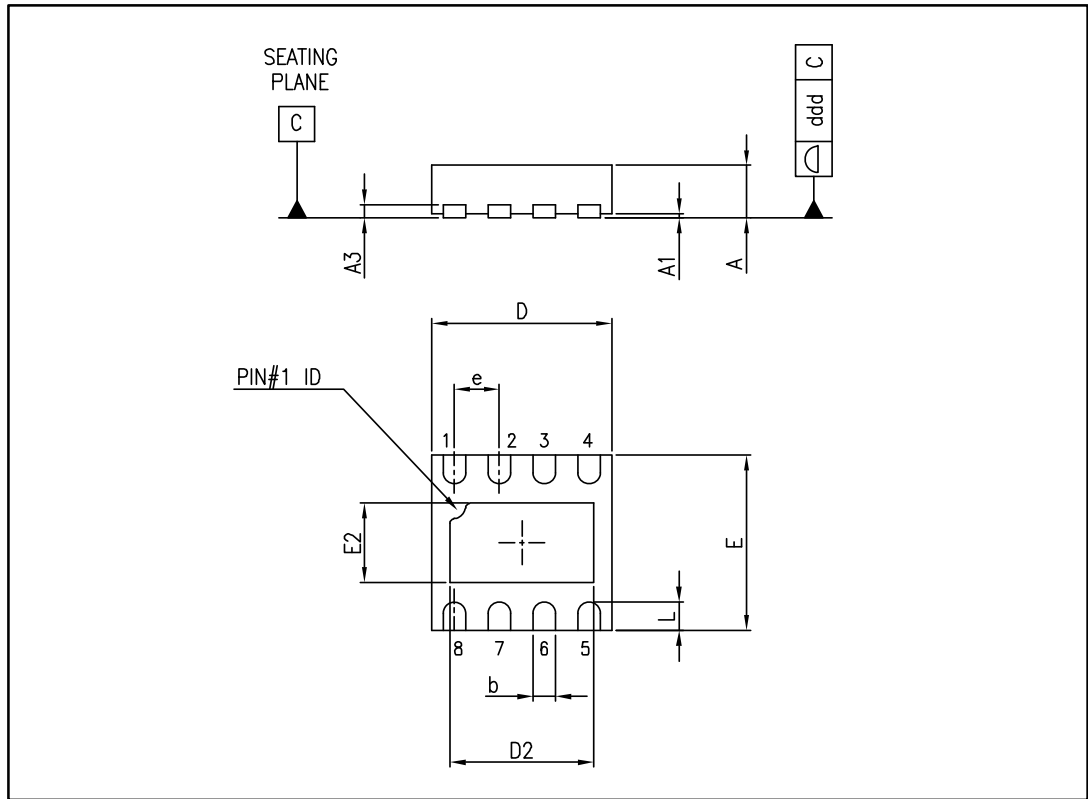
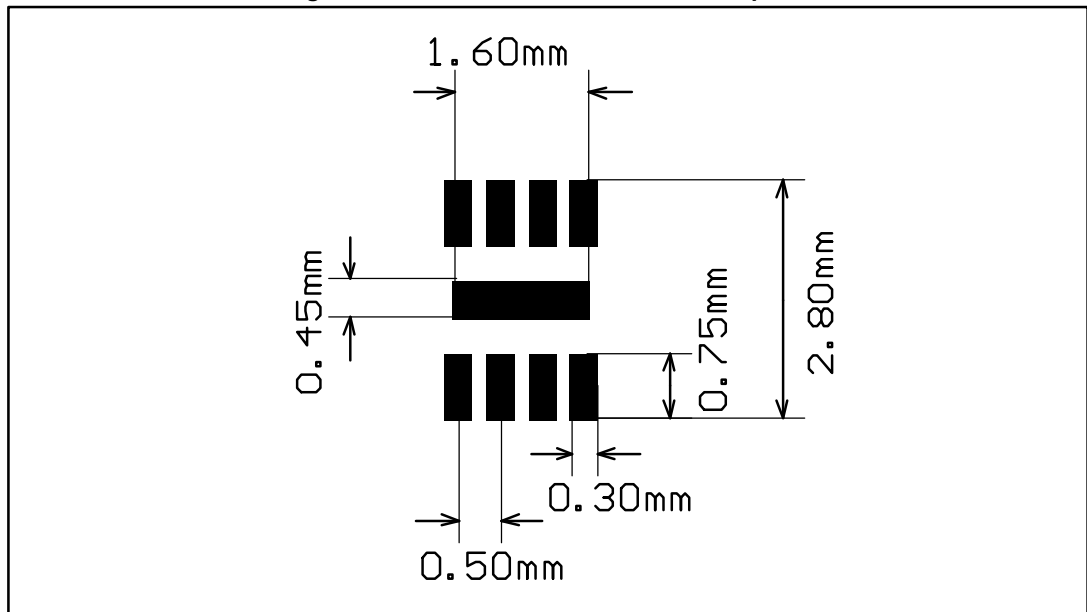


Table 8: DFN8 2 x 2 mechanical data

Ref.	Dimensions					
	Millimeters			Inches		
	Min.	Typ.	Max.	Min.	Typ.	Max.
A	0.51	0.55	0.60	0.020	0.022	0.024
A1			0.05			0.002
A3		0.15			0.006	
b	0.18	0.25	0.30	0.007	0.010	0.012
D	1.85	2.00	2.15	0.073	0.079	0.085
D2	1.45	1.60	1.70	0.057	0.063	0.067
E	1.85	2.00	2.15	0.073	0.079	0.085
E2	0.75	0.90	1.00	0.030	0.035	0.039
e		0.50			0.020	
L			0.425			0.017
ddd			0.08			0.003

Figure 22: DFN8 2 x 2 recommended footprint



The exposed pad of the DFN8 2x2 package is not internally connected. It can be set to ground or left floating.

### 6.3 MiniSO8 package information

Figure 23: MiniSO8 package outline

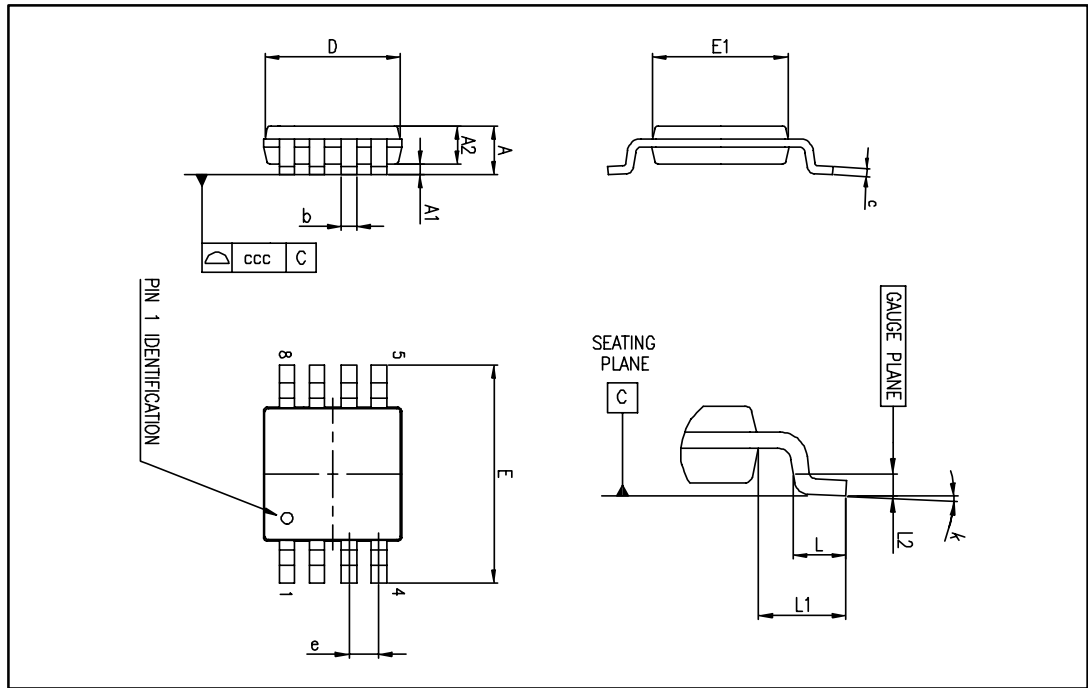


Table 9: MiniSO8 mechanical data

Ref.	Dimensions					
	Millimeters			Inches		
	Min.	Typ.	Max.	Min.	Typ.	Max.
A			1.1			0.043
A1	0		0.15	0		0.006
A2	0.75	0.85	0.95	0.030	0.033	0.037
b	0.22		0.40	0.009		0.016
c	0.08		0.23	0.003		0.009
D	2.80	3.00	3.20	0.11	0.118	0.126
E	4.65	4.90	5.15	0.183	0.193	0.203
E1	2.80	3.00	3.10	0.11	0.118	0.122
e		0.65			0.026	
L	0.40	0.60	0.80	0.016	0.024	0.031
L1		0.95			0.037	
L2		0.25			0.010	
k	0°		8°	0°		8°
ccc			0.10			0.004

### 6.4 SO8 package information

Figure 24: SO8 package outline

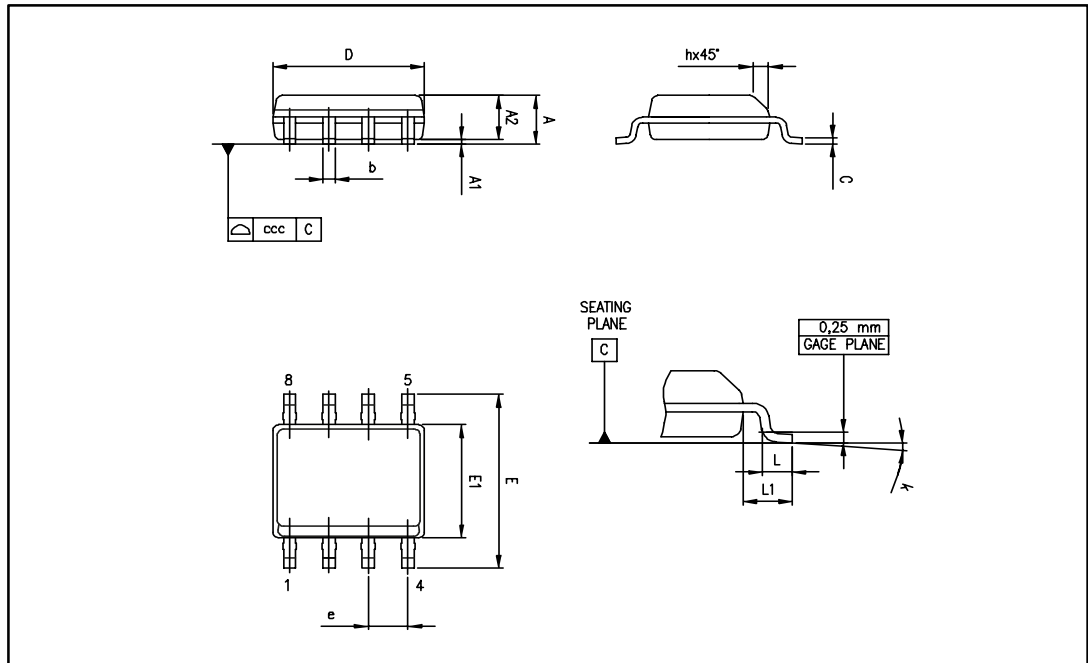


Table 10: SO8 mechanical data

Ref.	Dimensions					
	Millimeters			Inches		
	Min.	Typ.	Max.	Min.	Typ.	Max
A			1.75			0.069
A1	0.10		0.25	0.004		0.010
A2	1.25			0.049		
b	0.28		0.48	0.011		0.019
c	0.17		0.23	0.007		0.010
D	4.80	4.90	5.00	0.189	0.193	0.197
E	5.80	6.00	6.20	0.228	0.236	0.244
E1	3.80	3.90	4.00	0.150	0.154	0.157
e		1.27			0.050	
h	0.25		0.50	0.010		0.020
L	0.40		1.27	0.016		0.050
L1		1.04			0.040	
k	1°		8°	1°		8°
ccc			0.10			0.004

### 6.5 TSSOP14 package information

Figure 25: TSSOP14 package outline

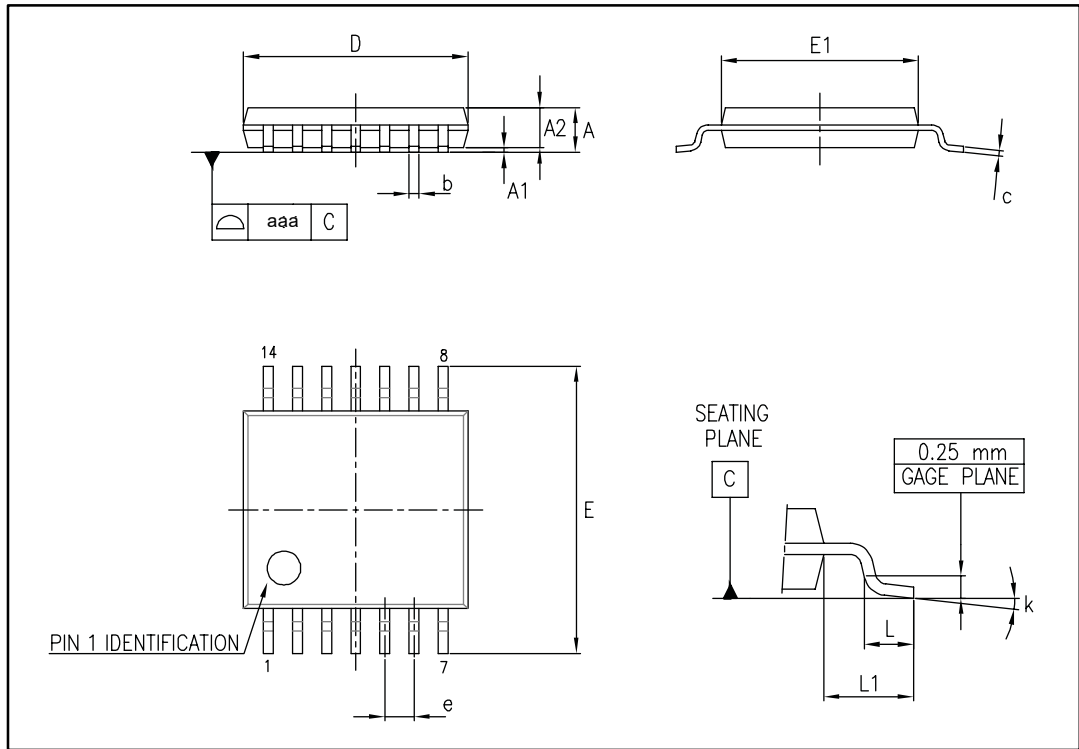


Table 11: TSSOP14 mechanical data

Ref.	Dimensions					
	Millimeters			Inches		
	Min.	Typ.	Max.	Min.	Typ.	Max.
A			1.20			0.047
A1	0.05		0.15	0.002	0.004	0.006
A2	0.80	1.00	1.05	0.031	0.039	0.041
b	0.19		0.30	0.007		0.012
c	0.09		0.20	0.004		0.0089
D	4.90	5.00	5.10	0.193	0.197	0.201
E	6.20	6.40	6.60	0.244	0.252	0.260
E1	4.30	4.40	4.50	0.169	0.173	0.176
e		0.65			0.0256	
L	0.45	0.60	0.75	0.018	0.024	0.030
L1		1.00			0.039	
k	0°		8°	0°		8°
aaa			0.10			0.004

### 6.6 SO14 package information

Figure 26: SO14 package outline

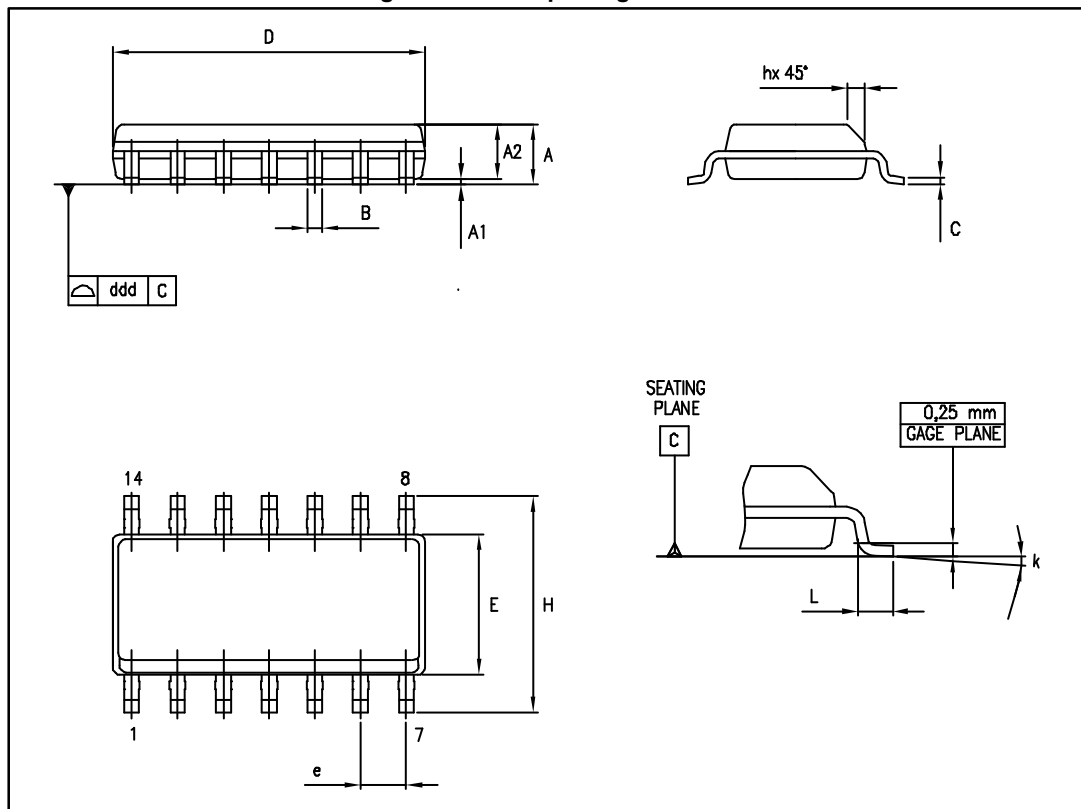


Table 12: SO14 mechanical data

Ref.	Dimensions					
	Millimeters			Inches		
	Min.	Typ.	Max.	Min.	Typ.	Max.
A	1.35		1.75	0.05		0.068
A1	0.10		0.25	0.004		0.009
A2	1.10		1.65	0.04		0.06
B	0.33		0.51	0.01		0.02
C	0.19		0.25	0.007		0.009
D	8.55		8.75	0.33		0.34
E	3.80		4.0	0.15		0.15
e		1.27			0.05	
H	5.80		6.20	0.22		0.24
h	0.25		0.50	0.009		0.02
L	0.40		1.27	0.015		0.05
k	8° (max)					
ddd			0.10			0.004

## 7 Ordering information

Table 13: Order codes

Order code	Temperature range	Package	Packing	Marking
TSV911IDT	-40 °C to 125 °C	SO8	Tube or tape and reel	V911I
TSV911AIDT				V911AI
TSV911ILT		SOT23-5	Tape and reel	K127
TSV911AILT				K128
TSV911RILT				K125
TSV912IST				K125
TSV912AIST		MiniSO8		K126
TSV912IDT		SO8	Tube or tape and reel	V912I
TSV912AIDT				V912AI
TSV912IQ2T		DFN8 2x2	Tape and reel	K1Q
TSV914IPT		TSSOP14		V914I
TSV914AIPT			V914AI	
TSV914IDT		SO14	Tube or tape and reel	V914I
TSV914AIDT				V914AI
TSV911IYLT <sup>(1)</sup>		SOT23-5, automotive grade	Tape and reel	K147
TSV911AIYLT <sup>(1)</sup>				K148
TSV911IYDT <sup>(1)</sup>		SO-8, automotive grade		V911IY
TSV911AIYDT <sup>(1)</sup>				V911AIY
TSV912IYDT <sup>(1)</sup>				V912IY
TSV912AIYDT <sup>(1)</sup>				V912AY
TSV912IYST <sup>(1)</sup>		MiniSO8, automotive grade		K147
TSV912AIYST <sup>(1)</sup>				K148
TSV914IYDT <sup>(1)</sup>		SO14, automotive grade		V914IY
TSV914AIYDT <sup>(1)</sup>				V914AY
TSV914IYPT <sup>(1)</sup>		TSSOP14, automotive grade		V914IY
TSV914AIYPT <sup>(1)</sup>				V914AY

**Notes:**

<sup>(1)</sup>Qualification and characterization according to AEC Q100 and Q003 or equivalent, advanced screening according to AEC Q001 & Q 002 or equivalent.



## 8 Revision history

**Table 14: Document revision history**

Date	Revision	Changes
28-Aug-2006	1	First release.
07-Jun-2007	2	Modified ESD CDM parameter for SO-14 package in Table 2: Absolute maximum ratings. Noise parameters updated in Section 2: Electrical characteristics. Added limits in temperature in Section 2: Electrical characteristics. Added automotive grade level description in Table 13: Order codes. Added footnote about SO-14 package in Table 13: Order codes. Added Figure 16: Phase margin vs. capacitive load and serial resistor.
11-Feb-2008	3	Updated footnotes for ESD parameters in Table 2: Absolute maximum ratings. Corrected MiniSO-8 package information in Table 9: MiniSO-8 package mechanical data. Added missing markings for order codes TSV911AILT and TSV912AILT in Table 13: Order codes.
22-Jun-2009	4	Added input current information in Table 2: Absolute maximum ratings. Changed Figure 7 and Figure 8. Added Chapter 3: Application information. Updated package information in Chapter 4. Added automotive order codes: TSV911IYLT, TSV911AIYLT, TSV912IYST, TSV912AIYST, TSV914IYPT and TSV914AIYPT in Table 13: Order codes.
17-Sep-2009	5	Added A versions of devices in title on cover page. Modified ESD value for machine model in Table 2: Absolute maximum ratings. Added Figure 17: Supply current vs. supply voltage on page 10.
18-Mar-2010	6	Added TSV911RILT in Table 13: Order codes, housed in a SOT23-5 package with a new pinout.
24-Jun-2010	7	Added pin connections for TSV911ILT and TSV911RILT on cover page. Added Table 1: Device summary on cover page. Modified supply voltage value in Table 3. Corrected typical value of $DV_{io}$ in Table 4, Table 5 and Table 6. Added TSV911RILT, TSV911IYDT and TSV911AIYDT order codes in Table 13. Modified Note 2 under Table 13.
06-Mar-2012	8	Added DFN8 2x2 package and ordering information for TSV912 device to Chapter 4 and Chapter 5.
27-Nov-2015	9	Updated layout Section 2: replaced $DV_{io}/DT$ by $\Delta V_{io}/\Delta T$ . Section 5.2: updated name of package and title of drawings and table; added note about exposed pad. Table 13: "Order codes": removed obsolete order codes (TSV911ID, TSV911AID, TSV912ID, TSV912AID, TSV914ID, TSV914AID).

## Revision history

TSV91x, TSV91xA

Date	Revision	Changes
29-Aug-2016	10	Added silhouettes of packages to cover page Placed pinout diagrams in <a href="#">Section 2: "Package pin connections"</a> Added <a href="#">Related products</a> <a href="#">Description</a> : added footnote 1 <a href="#">Section 7.2: "DFN8 2 x 2 package information"</a> : modified note about the exposed pad. <a href="#">Section 8: "Ordering information"</a> : removed note regarding "moisture sensitivity level 1".

**IMPORTANT NOTICE – PLEASE READ CAREFULLY**

STMicroelectronics NV and its subsidiaries ("ST") reserve the right to make changes, corrections, enhancements, modifications, and improvements to ST products and/or to this document at any time without notice. Purchasers should obtain the latest relevant information on ST products before placing orders. ST products are sold pursuant to ST's terms and conditions of sale in place at the time of order acknowledgement.

Purchasers are solely responsible for the choice, selection, and use of ST products and ST assumes no liability for application assistance or the design of Purchasers' products.

No license, express or implied, to any intellectual property right is granted by ST herein.

Resale of ST products with provisions different from the information set forth herein shall void any warranty granted by ST for such product.

ST and the ST logo are trademarks of ST. All other product or service names are the property of their respective owners.

Information in this document supersedes and replaces information previously supplied in any prior versions of this document.

© 2016 STMicroelectronics – All rights reserved

# Mouser Electronics

Authorized Distributor

Click to View Pricing, Inventory, Delivery & Lifecycle Information:

## STMicroelectronics:

[TSV912IDT](#) [TSV912IST](#) [TSV912ID](#) [TSV914AIPT](#) [TSV911AILT](#) [TSV911AIDT](#) [TSV912AIDT](#) [TSV912AID](#)  
[TSV914AID](#) [TSV911ID](#) [TSV911AID](#) [TSV911AIYDT](#) [TSV911AIYLT](#) [TSV911IYDT](#) [TSV911IYLT](#) [TSV912AIYDT](#)  
[TSV912AIYST](#) [TSV912IYDT](#) [TSV914IYDT](#) [TSV912IQ2T](#) [TSV912AIST](#) [TSV914IPT](#) [TSV911IDT](#) [TSV911ILT](#)  
[TSV914AIDT](#) [TSV914ID](#) [TSV914IDT](#) [TSV911RILT](#) [TSV914IYPT](#) [TSV912IYST](#) [TSV914AIYDT](#) [TSV914AIYPT](#)